



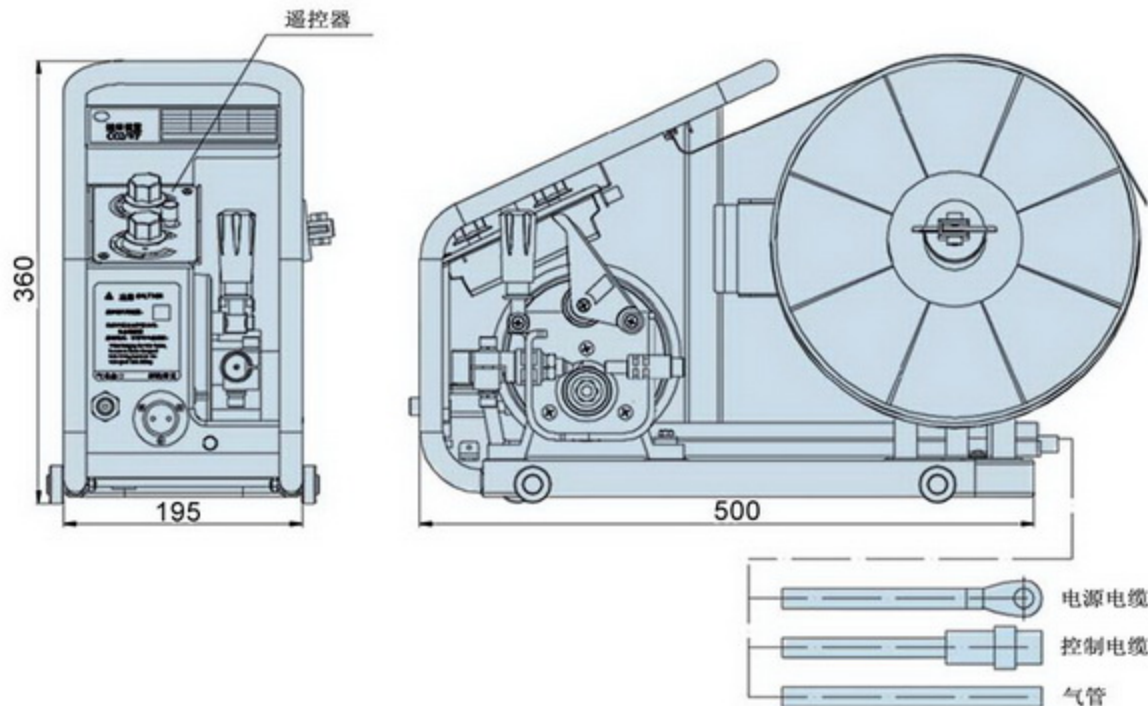
Wire Feeders

送丝装置

PML MOTORS CO., LTD.

PML WF series wire feeders applied its patent motors, which absorb the merits of the same type of products in domestic and overseas, are applicable to CO₂ gas shielded arc welding machine. As the wire feed motor supplier for the international famous welding machine manufacturers Panasonic and OTC, PML Wire Feeders are with reliability and superior performance. It guarantees responding quickly, feed stably and precisely, efficient arc ignition and less spatter. Good welding results can be achieved during the whole life with less running costs.

PML的WF系列送丝装置采用英国专利电机，并吸收同类型产品的优点，适用于平特性的CO₂/MAG气保焊机。PML作为日本松下(Panasonic)和欧地希(OTC)等著名厂商的送丝电机供应商，所生产的送丝装置高精度科学设计，机架结构耐冲击，长寿命坚固耐用，可使用金属焊丝盘，功率大送丝强劲，性能优一致性好，抗转速波动能力强，从而保证响应快送丝平稳，易于引弧不粘丝，有效减少飞溅，在寿命周期内持久保持送丝速度准确稳定，可有效提高焊接品质与效率，降低使用成本。



Wire Feeders

PML MOTORS CO., LTD.

送丝装置



Main Technical Parameter / 主要技术参数

型号 Model	WF1-20A	WF2-20A	WF1-35A	WF2-35A	WF1-35E	WF2-50E	WF1-50C	WF2-50C
额定焊接电流 Rated Welding Current	200 A		350 A			500 A		
送丝机电压 Voltage of Motor	DC18.3 V	DC24 V	DC18.3 V	DC24 V	DC18.3 V	DC24 V	DC18.3 V	DC24 V
适用焊丝 Welding Wire	丝径 Diameter	0.8 -1.0 mm		0.8 -1.2 mm			1.2 -1.6 mm	
	材质 Material	碳钢 Carbon Steel						
适用焊丝盘 Range of Wire Spool	轴径 Shaft Dia	Φ50 mm						
	外径 Diameter	Max Φ300mm						
	宽度 Width	Max 105mm						
	质量 Weight	20 kg						
	盘轴 Reel Shaft	绝缘铝轴 Insulated Aluminum Shaft			绝缘阻尼轴 Insulated Damping Shaft		绝缘铝轴 Insulated Aluminum Shaft	
保护气体 Shielding Gas	类型 Type	CO ₂ , CO ₂ +Ar						
	压力 Pressure	Max 0.4 MPa						
电缆长度 Cable Length	1.8m (气管 Windpipe 4.8m)							
整机质量 Weight	10 kg					10.5 kg		
额定送丝速度 Rated Wire Feed Speed	4.4 -17 m/min					2.2 -20 m/min		
托架总成 Bracket Assembly	单驱托架 Single Driven Bracket				双驱托架 Double Driven Bracket		单驱带校正轮托架 Single Driven Bracket With Correction Rollers	
执行标准 Standard	GB/T 15579.5-2005							

Accessories of Wire Feeders / 送丝装置配件



精品送丝轮
Top Quality Wire-Feeder Roller



绝缘盘轴
Insulated Reel Shaft



插头/插座
Plug/Socket



单驱托架
Single Driven Bracket



单驱带校正轮托架
Single Driven Bracket With Correction Rollers



双驱托架
Double Driven Bracket

WIRE FEEDERS